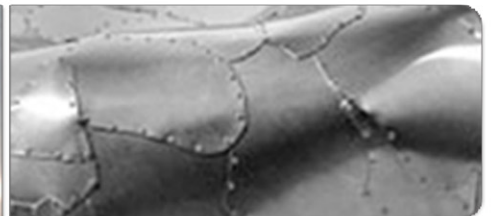
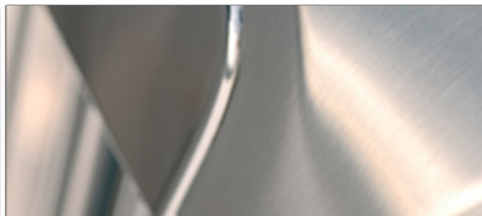
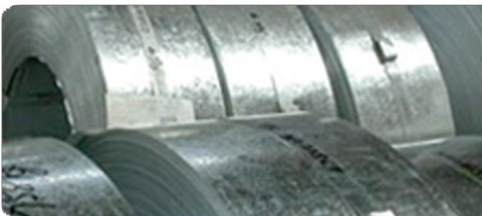




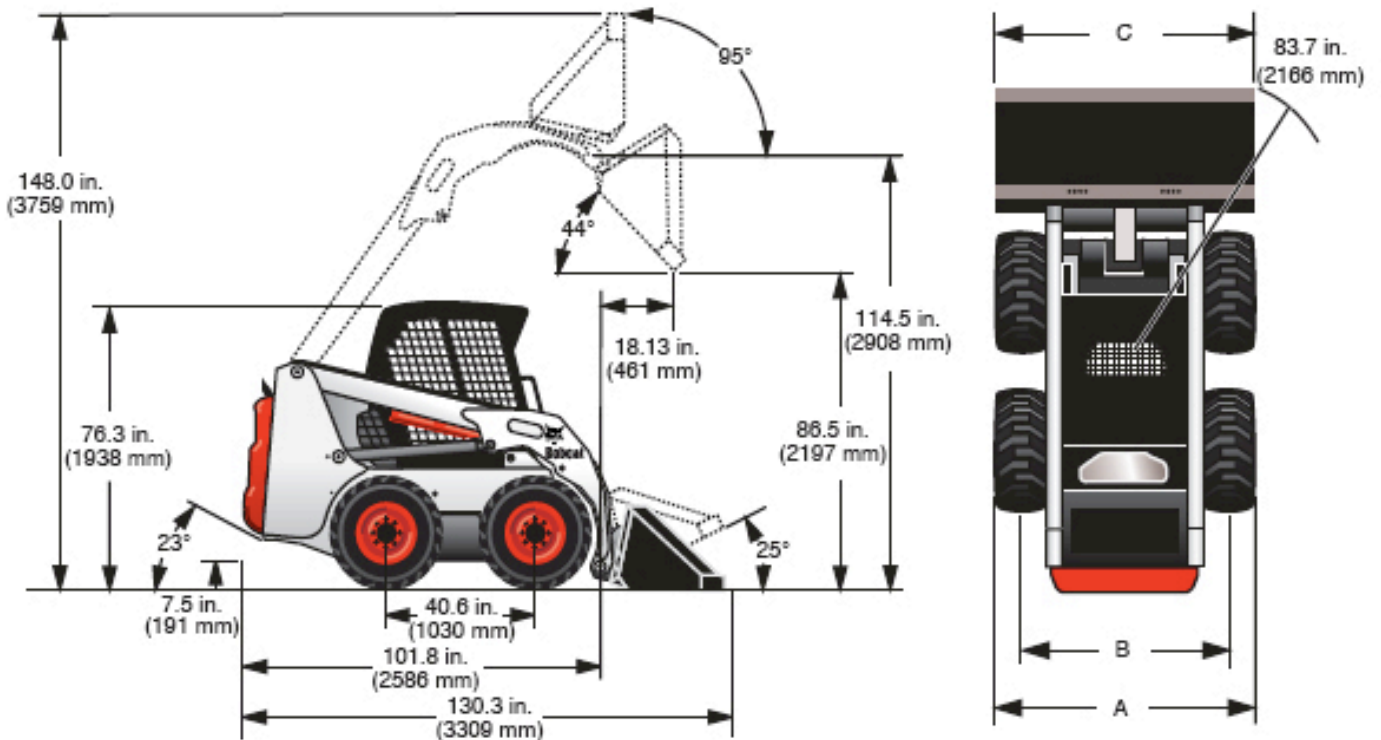
**Steel Mac**<sup>TM</sup>  
LIMITED

SteelMac Limited, Unit 27 New Harbours, Gibraltar

## **Bobcat S150** Specification Sheet



# BOBCAT S150



"A" 10 - 16.5 TIRES - 66.0" (1676 mm)  
 or 60.0" (1524 mm)  
 31.5 x 13 - 16.5 TIRES - 66.0" (1676 mm)

"B" 10 - 16.5 TIRES - 54.5" (1385 mm)  
 or 48.5" (1232 mm)  
 31.5 x 13 - 16.5 TIRES - 52.3" (1328 mm)

"C" 62 in. BUCKET WIDTH - 62.0" (1575 mm)  
 68 in. BUCKET WIDTH - 68.0" (1727 mm)  
 74 in. BUCKET WIDTH - 74.0" (1880 mm)



## Specifications

Rated Operating Capacity	1500 lb. (680 kg)
ROC with Optional Counterweight	1600 lb. (726 kg)
Tipping Load	3000 lb. (1361 kg)
Hydraulic Pump Capacity	16.9 GPM (64 L/min.)
High Flow Option	26.4 GPM (99,9 L/min.)
Travel Speed	7.0 MPH (11,3 km/hr.)
Operating Weight	5662 lb. (2568 kg)
Length (with bucket)	130.3 in. (3309 mm)
Width (with bucket)	68.0 in. (1727 mm)
Height	76.3 in. (1938 mm)
Height to Bucket Pin	114.5 in. (2908 mm)
Make/Model	Kubota/V2203M-DI
Fuel/Cooling	Diesel/Liquid
Cylinders	4
SAE NET HP/Displacement	46/134 in.3 (2,2 L)
Fuel Tank Capacity	23 gal. (87,1 L)

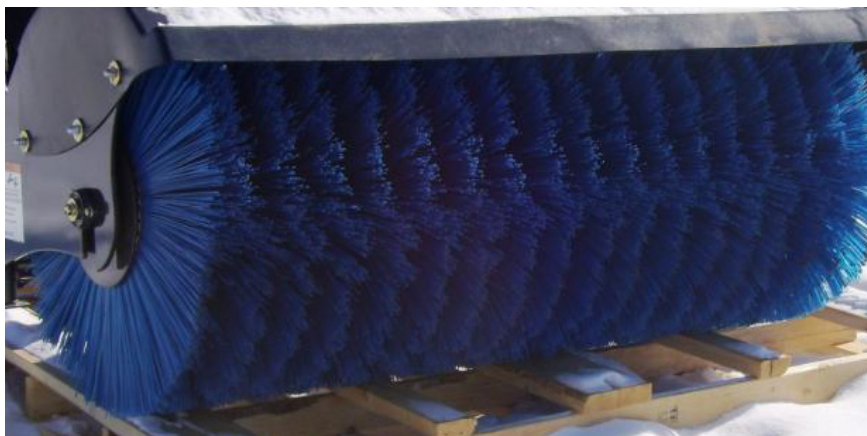
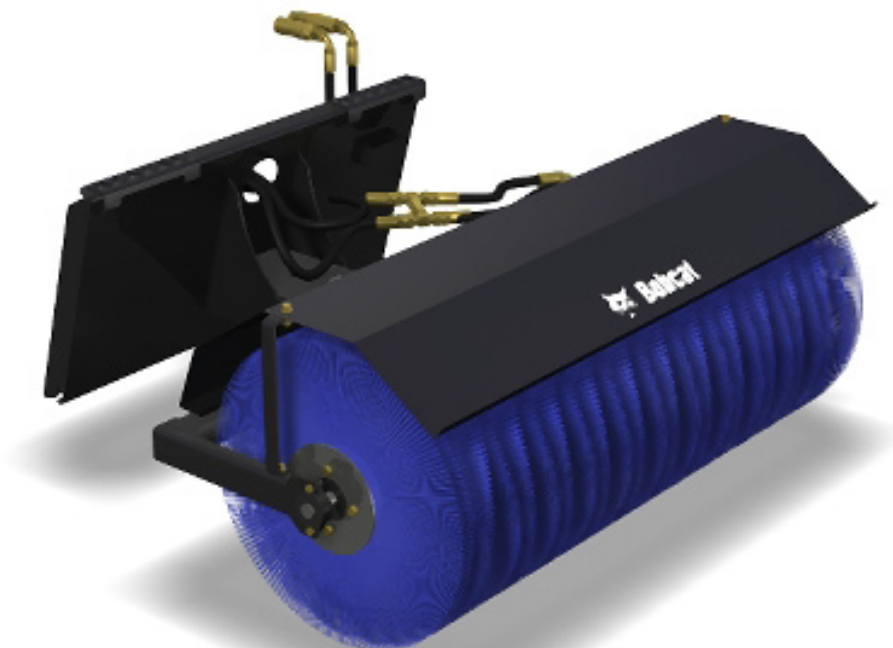


## Angle Broom Attachment

Sweep a clean path economically. The hydraulically-driven angle broom quickly and efficiently sweeps away dirt, dried mud, light snow, and other debris. Use it to sweep driveways, sidewalks, parking lots, loading docks, warehouses and more.

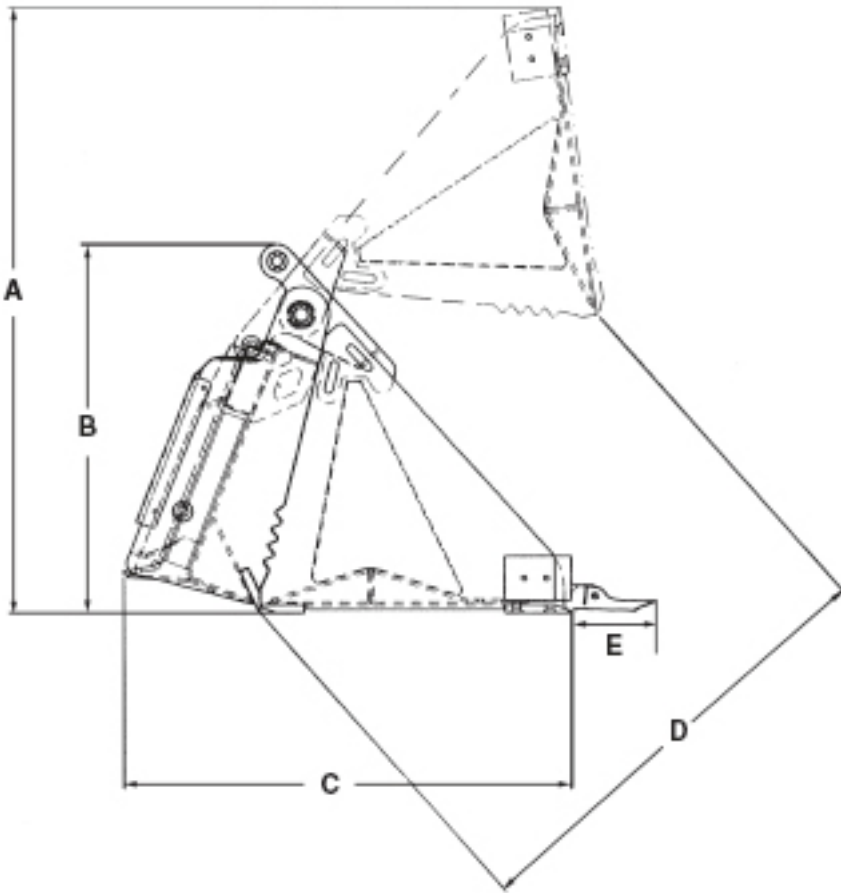
The angle broom uses a hydraulically-driven, rotating broom that pushes dirt and other debris away from the machine. The two larger angle broom models have 25 degrees of angle to the left or right, and the smaller, 48-inch model has 30 degrees of angle to the left or right. The 48-inch model has a 3-position manual angle.

- Electric broom angle control allows for easier removal of debris by allowing the operator to increase/decrease the down force of the broom angle).
- High-torque motor means efficient sweeping of heavier materials.
- The broom has a quick-change rotor design for fast bristle replacement. Simply remove two bolts, and the entire rotor is released.
- The storage stands help protect





## COMBINATION BUCKET



The combination bucket is extremely versatile, with a wide range of applications it can excel in any of the following fields.

- Construction
- Demolition
- Landscaping
- Municipalities

