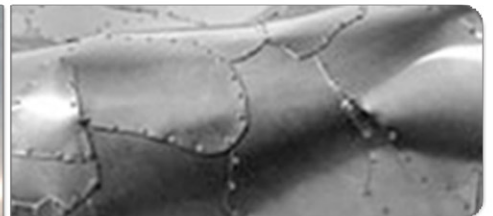
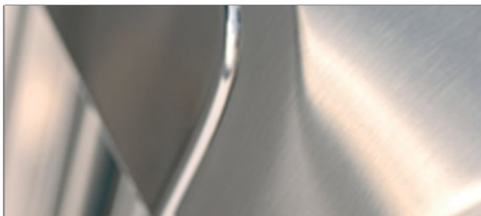
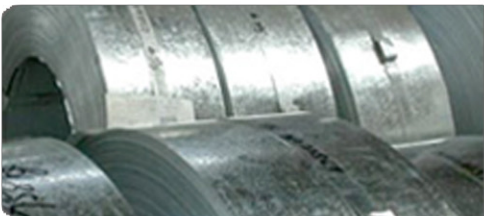


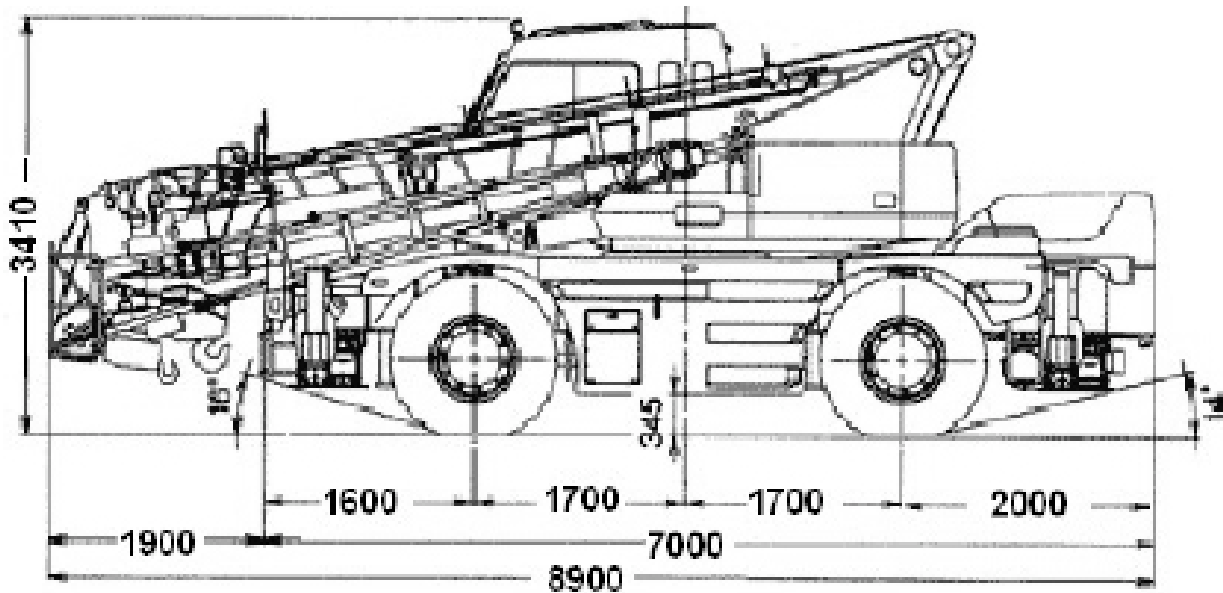


SteelMac Limited, Unit 27 New Harbours, Gibraltar

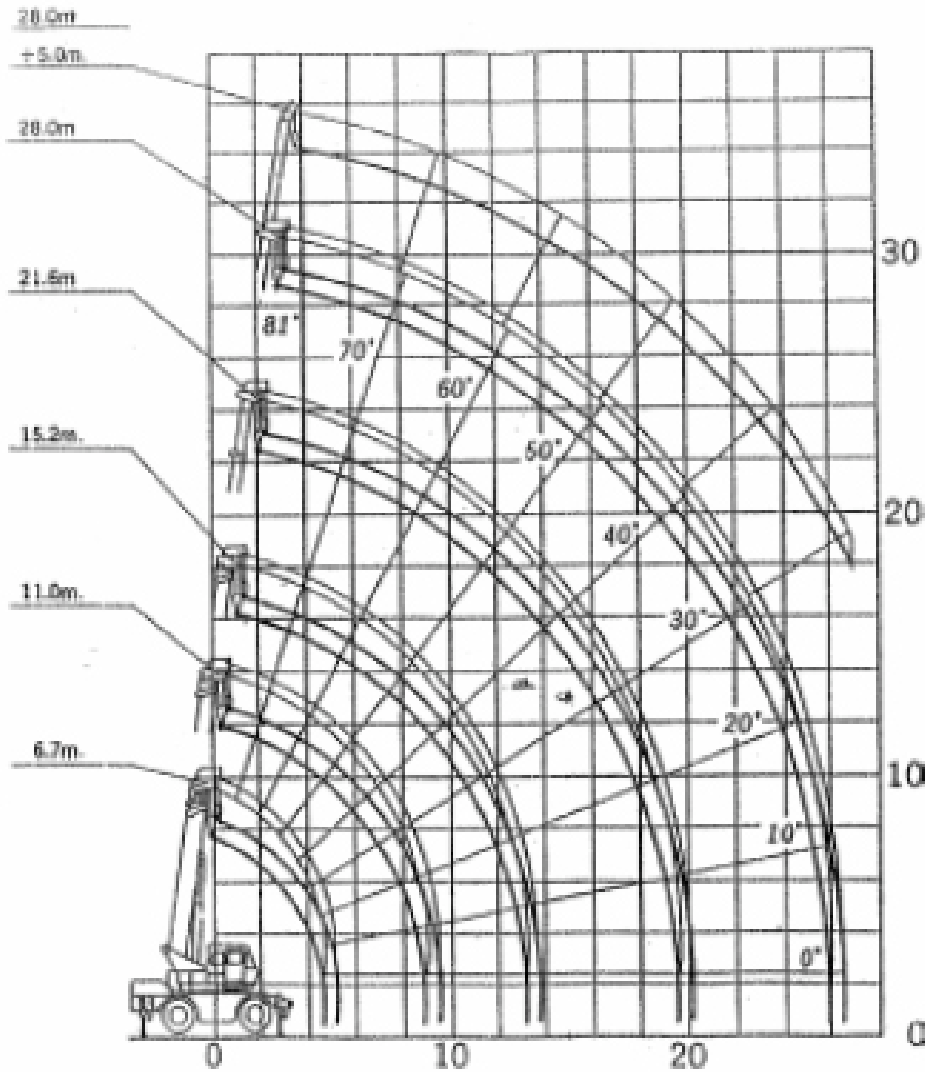
KATO City Crane KR 2h Specification Sheet



KATO City Crane KR 22h



MAKE : KATO
 MODEL : 25 TON City Crane
 SPEC: 6 Section, 28m Main Boom, 5.4 - 8.2m Fly Jib Main + Auxiliary Winches and Rooster Sheave (4 tonne Line Pull on Rooster Sheave) MITSUBISHI 6D16-TE1 Turbo Charged Watercooled Diesel Engine, Pick & Carry Function, 5 Steering Modes, Fully Automatic Transmission with Hi/Low Transfer, Compact for Driving, Compact Tail Radius for Confined Areas.



(m)	Outriggers set to - (5.8m)					Outriggers set to - (4.6m)					Outriggers set to - (3.4m)					Outriggers set to - (2.04m)					(m)
	6.7m	11.0m	15.2m	21.6m	28.0m	6.7m	11.0m	15.2m	21.6m	28.0m	6.7m	11.0m	15.2m	21.6m	28.0m	6.7m	11.0m	15.2m	21.6m	28.0m	
3.0	22.00	12.00	12.00	8.00		22.00	12.00	12.00	8.00		22.00	12.00	12.00	8.00		7.80	7.50	7.00	7.00		3.0
3.5	20.00	12.00	12.00	8.00		20.00	12.00	12.00	8.00		15.20	12.00	12.00	8.00		6.10	5.80	5.40	5.60		3.5
4.0	17.00	12.00	12.00	8.00	6.00	17.00	12.00	12.00	8.00	6.00	11.40	11.00	11.00	8.00	6.00	4.80	4.50	4.30	4.55	3.80	4.0
4.5	15.00	12.00	12.00	8.00	6.00	15.00	12.00	12.00	8.00	6.00	8.95	8.60	8.40	8.00	6.00	3.80	3.50	3.40	3.80	3.80	4.5
5.0		12.00	12.00	8.00	6.00		12.00	12.00	8.00	6.00		6.95	6.85	7.00	6.00		2.80	2.70	3.20	3.25	5.0
5.5		12.00	12.00	8.00	6.00		10.00	10.00	8.00	6.00		5.75	5.65	6.20	6.00		2.20	2.10	2.65	2.75	5.5
6.0		12.00	11.50	8.00	6.00		8.50	8.40	8.00	6.00		4.80	4.70	5.40	5.30		1.70	1.60	2.25	2.35	6.0
6.5		11.30	10.60	8.00	6.00		7.20	7.10	7.90	6.00		4.05	3.95	4.65	4.70		1.30	1.20	1.85	2.00	6.5
7.0		9.70	9.40	7.85	6.00		6.20	6.10	6.85	6.00		3.45	3.35	4.00	4.15		0.90	0.80	1.55	1.70	7.0
8.0		7.35	7.20	7.10	5.90		4.65	4.55	5.30	5.65		2.50	2.40	3.05	3.30				1.00	1.20	8.0
9.0		5.70	5.60	6.35	5.35		3.60	3.50	4.20	4.50		1.80	1.70	2.35	2.65						9.0
10.0			4.50	5.25	4.80			2.70	3.40	3.70			1.10	1.85	2.10						10.0
11.0			3.60	4.35	4.30			2.05	2.75	3.05			0.60	1.40	1.65						11.0
12.0			2.90	3.65	3.85			1.50	2.25	2.55				1.00	1.30						12.0
13.0			2.30	3.05	3.40			1.05	1.85	2.10				0.65	0.95						13.0
14.0				2.60	2.90				1.45	1.75				0.50	0.70						14.0
15.0				2.20	2.50				1.10	1.45											15.0
16.0				1.80	2.10				0.85	1.15											16.0
17.0				1.50	1.80				0.65	0.90											17.0
18.0				1.20	1.55				0.40	0.70											18.0
19.0				1.00	1.30					0.50											19.0
20.0				0.85	1.10					0.35											20.0
21.0					0.95																21.0
22.0					0.80																22.0
23.0					0.65																23.0
24.0					0.50																24.0
25.0					0.35																25.0
Falls			4	3	2	7	4	4	3	2	7	4	4	3	2	7	4	4	3	2	Falls

Main HOOK WEIGHT 160 KG
 CAPACITY BASED ON 75% DIN 15019.2