

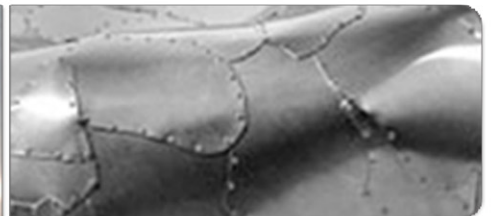
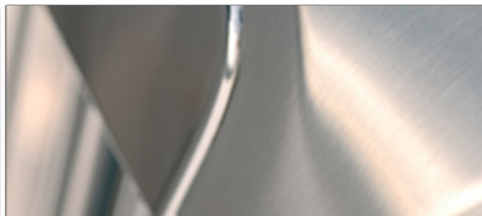
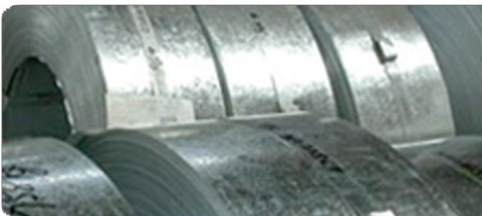


Steel MacTM
LIMITED

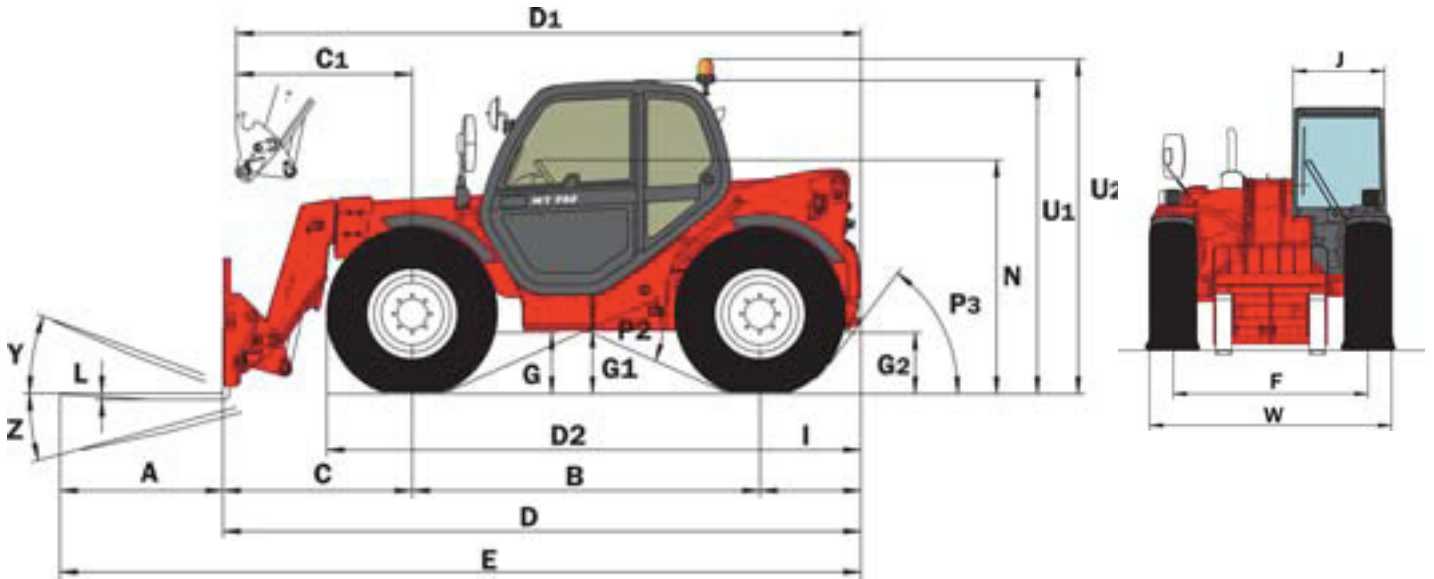
SteelMac Limited, Unit 27 New Harbours, Gibraltar

Manitou MT 732

Specification Sheet



Manitou MT 732



Specification

Lift Height:	
Maximum lift height	22 ft. 8 in.
Maximum forward reach	13 ft. 9 in.
Lifting	6.7/7.3
Lowering	5.0/4.7
Boom extension	6.3/6.8
Boom retraction	3.3/3.0
Engine:	
Perkins	1104.44
Power	84 HP
Displacement	4 cyl. 258 cu. in.
Max. Torque (@1400 rpm)	213
Specifications:	
Weight (base unit)	15,300 lb.
Turning radius (outside wheels)	12 ft. 1 in.
Overall height	7 ft. 8 in.
Overall width	7 ft. 6 in.
Overall length (without forks)	15 ft. 5 in.
Ground clearance	18 in.
Maximum drawbar pull	15,000 lbf.
Lift Capacity:	
Maximum (24 in. load center)	7,000 lb.
with tilting ram (ISO 8313)	16,000 lbf.

