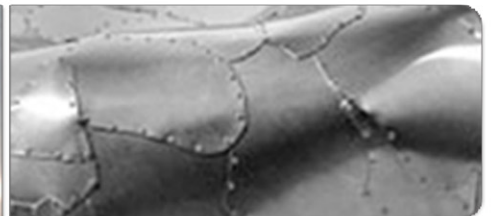
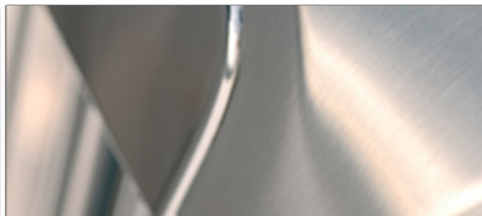
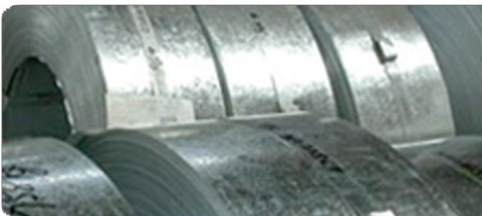




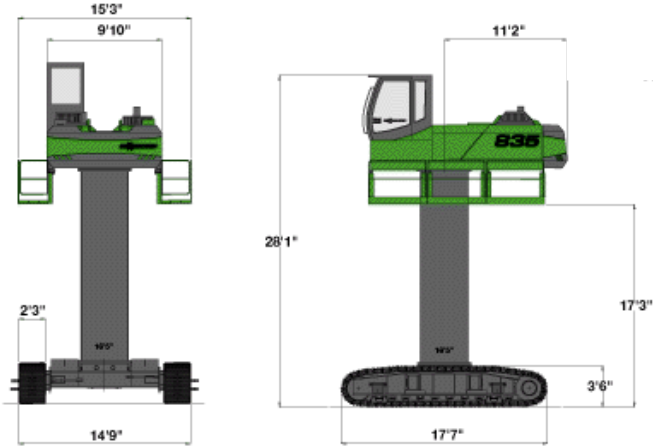
Steel MacTM
LIMITED

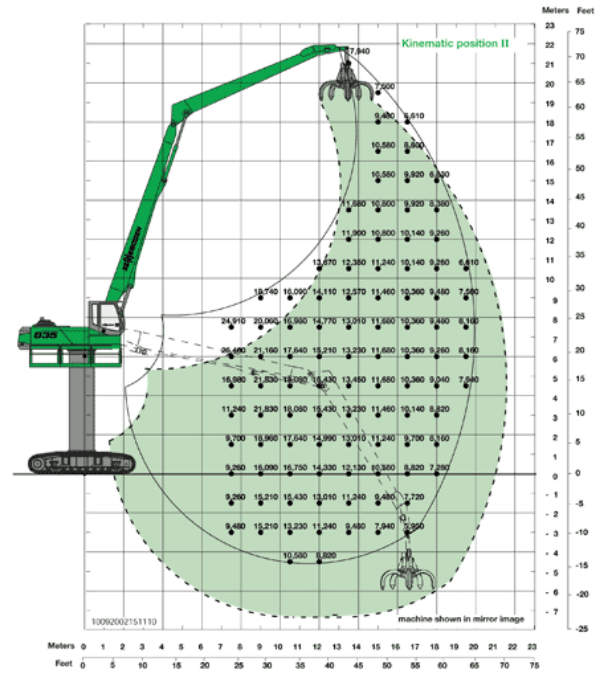
SteelMac Limited, Unit 27 New Harbours, Gibraltar

Sennebogen 835 M Special
‘Mantis Grab’
Specification Sheet



Sennebogen 835 Special


SENNEBOGEN
 green line

835 special


Specifications:

- Lifting capacity (up to) 39,700 lbs.
- Operating Weight 145,000 lbs.
- Working radius (up to) 68'11"
- Engine output (up to) 226/272 HP
- State-of-the-art load-sensing hydraulic system
- Powerful, maintenance friendly design
- Low noise emission

835 R special

- Undercarriage: R 40/380-280 with crawler B6, crawler length 177"
- Pylon: 19'5"
- Compact boom: 35'5"
- Loading stick: 30'10"
- Kinematic position: II
- Cab: F2000

Load chart

Notes:
 • Lift capacities are stated in pounds. Indicated loads are based on ISO 10567 and do not exceed 75% of tipping and 87% of hydraulic capacity. Machine on firm, level supporting surface. Loads valid for 360° on outriggers supported.
 • Lifting capacities do not include working attachments such as scrap grapples, magnets, etc. Their weights must be deducted from the numbers indicated in the lifting charts.

