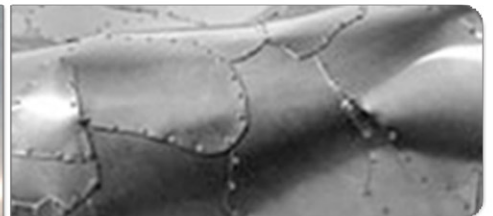
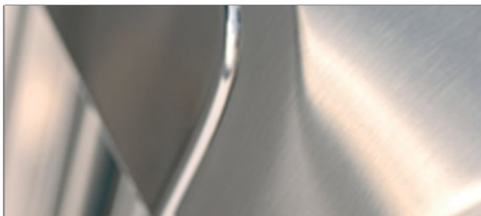
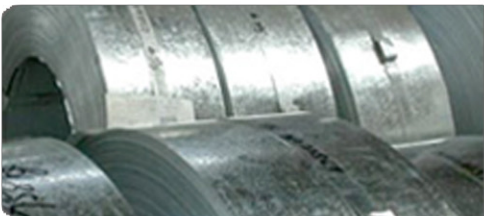


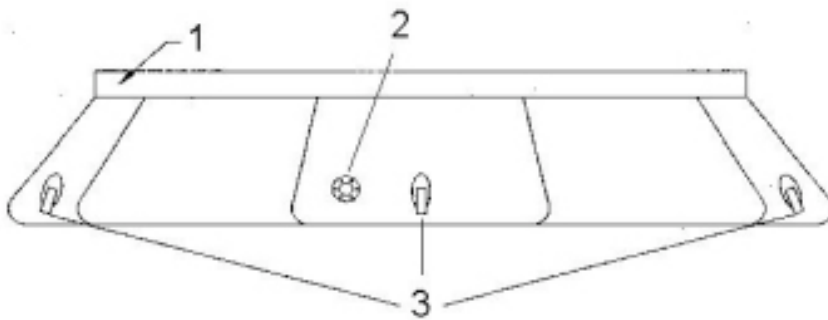


SteelMac Limited, Unit 27 New Harbours, Gibraltar

## **Folding Auto-Tanks** Specification Sheet



## Folding Auto-Tanks



1. Floating collar
2. Discharge access
3. Handles

### Technical specifications

Model	AUTOTANK 2	AUTOTANK 6	AUTOTANK 10
Total volume [m <sup>3</sup> ]	2	6	10
Maximum outside diameter [mm]	2600	3680	4640
Collar inside diameter [mm]	1860	2480	3300
Total height [mm]	530	860	860
Size stored, L x W x H [mm]	1400 x 800 x 500	1400 x 800 x 500	1400 x 800 x 500
Net weight [kg]	18	30	40
Gross weight [kg]	24	36	46
Container material	1100 gr/m <sup>2</sup> PVC-coated polyester		
Discharge access	2" Camlock coupling		



AutoTanks are ready to be deployed at any time, as they hold themselves up without a frame due to the floating collar which rises as the tank is filled. They include handles at the bottom, allowing the base of the tank to be positioned as required.

### Design

AutoTanks are made of PVC-coated polyester which is both flexible and oil resistant. All joints are high frequency welded, eliminating the need for seams or adhesives. The tanks' design, fabric and manufacturing process make them extremely hard wearing and suitable for intensive use.

All AutoTanks can be folded up to facilitate transport and storage. They are supplied folded inside a bag with handles making them easy to carry and deploy.